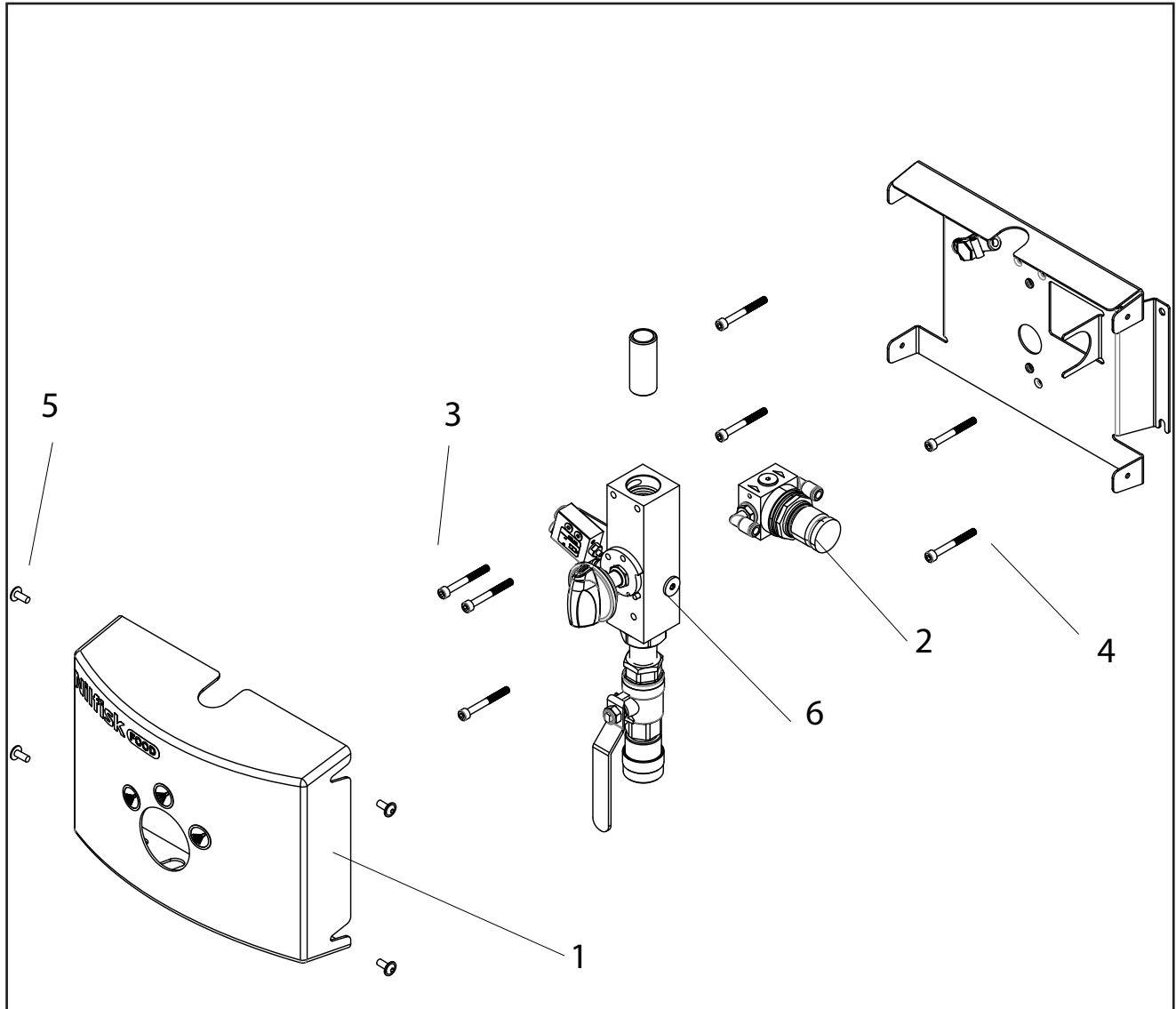


Recommended spare parts
Empfehlenswerte Ersatzteile
Pièces de rechange conseiées
Piezas de requesto recomendadas

SD



110005168A

Pos./Ref. Nr. No.	Description Beschreibung Désignation Designación	SD21	SD22
1	110003264 SST cover		
1	110003303 ABS cover		
1	110003457 Operation label		
1	110003049 Nilfisk FOOD lael		
2	110000880 Regulation unit, Air	1	1
3	110003277 (110000526) Screw kit		
4	110003277 (0607929) Screw kit		
5	110003277 (110000847) Screw kit		
6	Block See page 68		

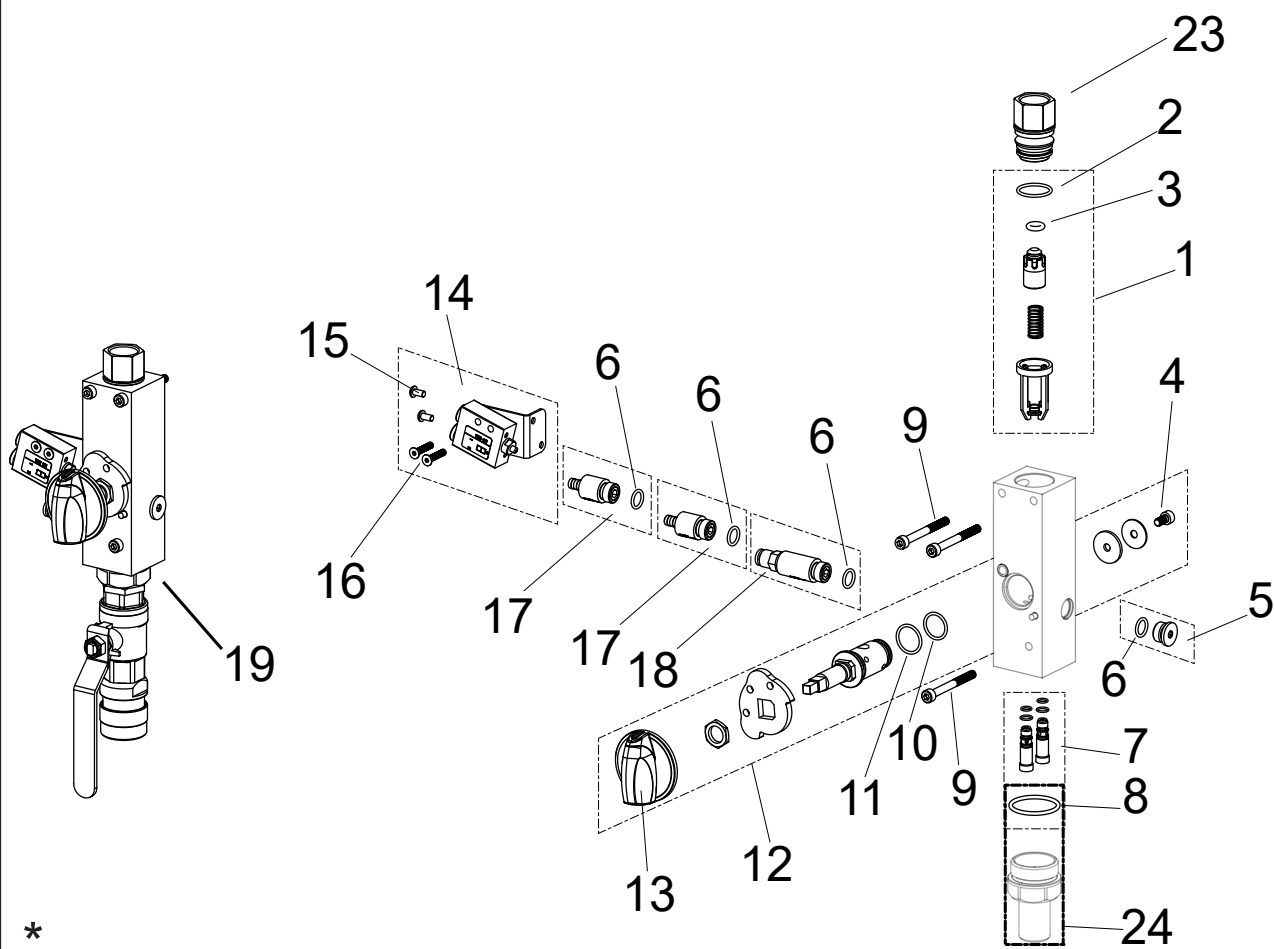
Español (ES)

Français (FR)

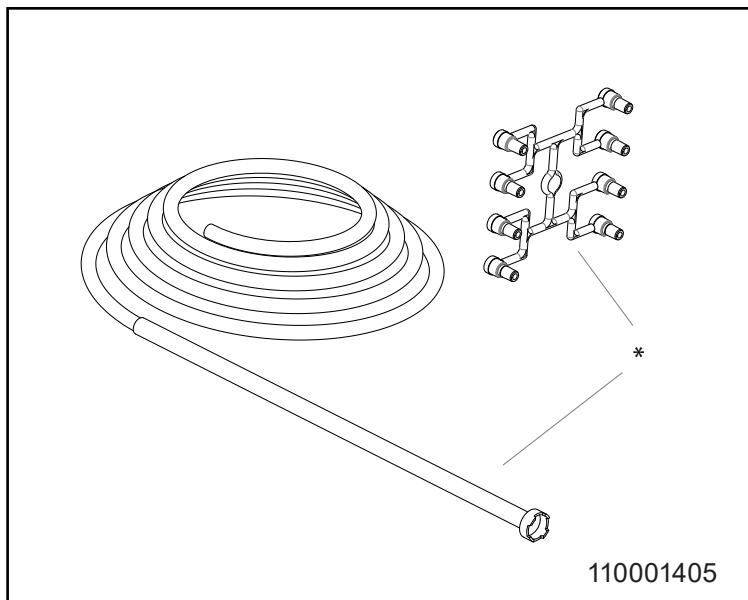
Deutsch (DE)

English (EN)

SD



*



*

110001405

110003274

Pos./Ref.	Nr. No.	Description Beschreibung Désignation Designación	SD21	SD22
1	110003279	Water non return valve complete	1	1
2	110003276 (0600078)	O-ring kit		
3	110003276 (110002785)	O-ring kit		
4	110003277 (0600009)	Screw kit		
5	110002306	Plug incl O-ring	1	1
6	110003276 (110002952)	O-ring kit		
7	110003283	Injector kit		
8	110003276 (110000038)	O-ring kit		
9	110003277 (110000526)	Screw kit		
10	110003276 (110002508)	O-ring kit		
11	110003276 (350108)	O-ring kit		
12	110003281	Axle for block Complete	1	-
12	110003401	Axle for block Complete	-	1
13	909100214	Operation button	1	1
14	110003282	Air regulation valve complete	1	1
15	110003277 (0602021)	Screw kit		
16	110003277 (110000525)	Screw kit		
17	110001102	Chemical non return valve	2	2
18	110001979	Air non return valve complete	1	1
19	110003278	Block complete	1	-
19	110003405	Block complete	-	1
20	110003682	Outlet Coupling complete		
21	110003276 641101	O-ring kit		
22	110003276 (641102)	O-ring kit		
23	110003084	Fitting for non return valve	1	1
24	110006214	Hexagon nipple complete		
*	110001214 110001197 110001198 110001199 0646105	Chemical hose (blue) Chemical hose (yellow) Chemical hose (red) Chemical hose (green) Chemical limiting nozzle		

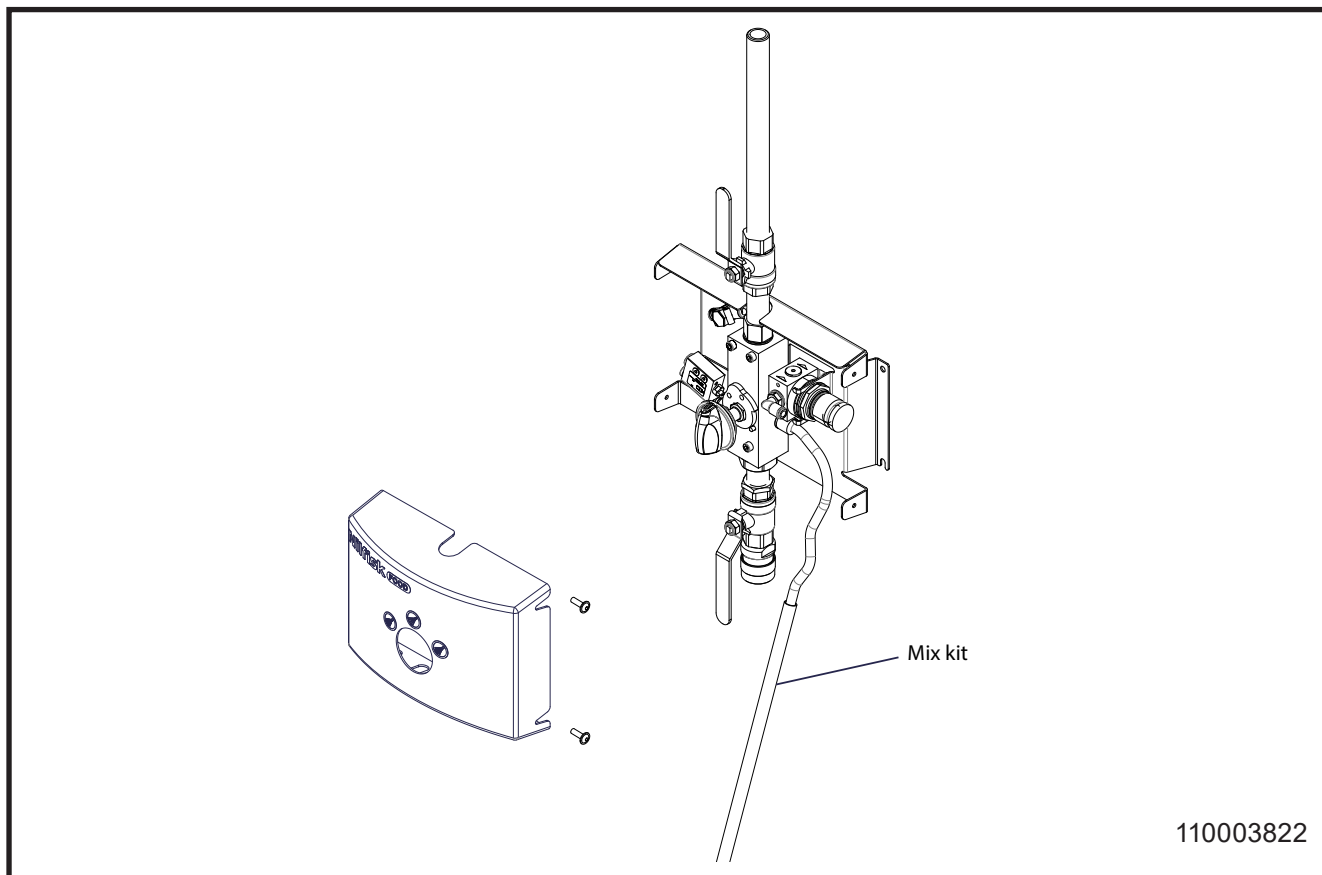
English (EN)

Deutsch (DE)

Français (FR)

Español (ES)

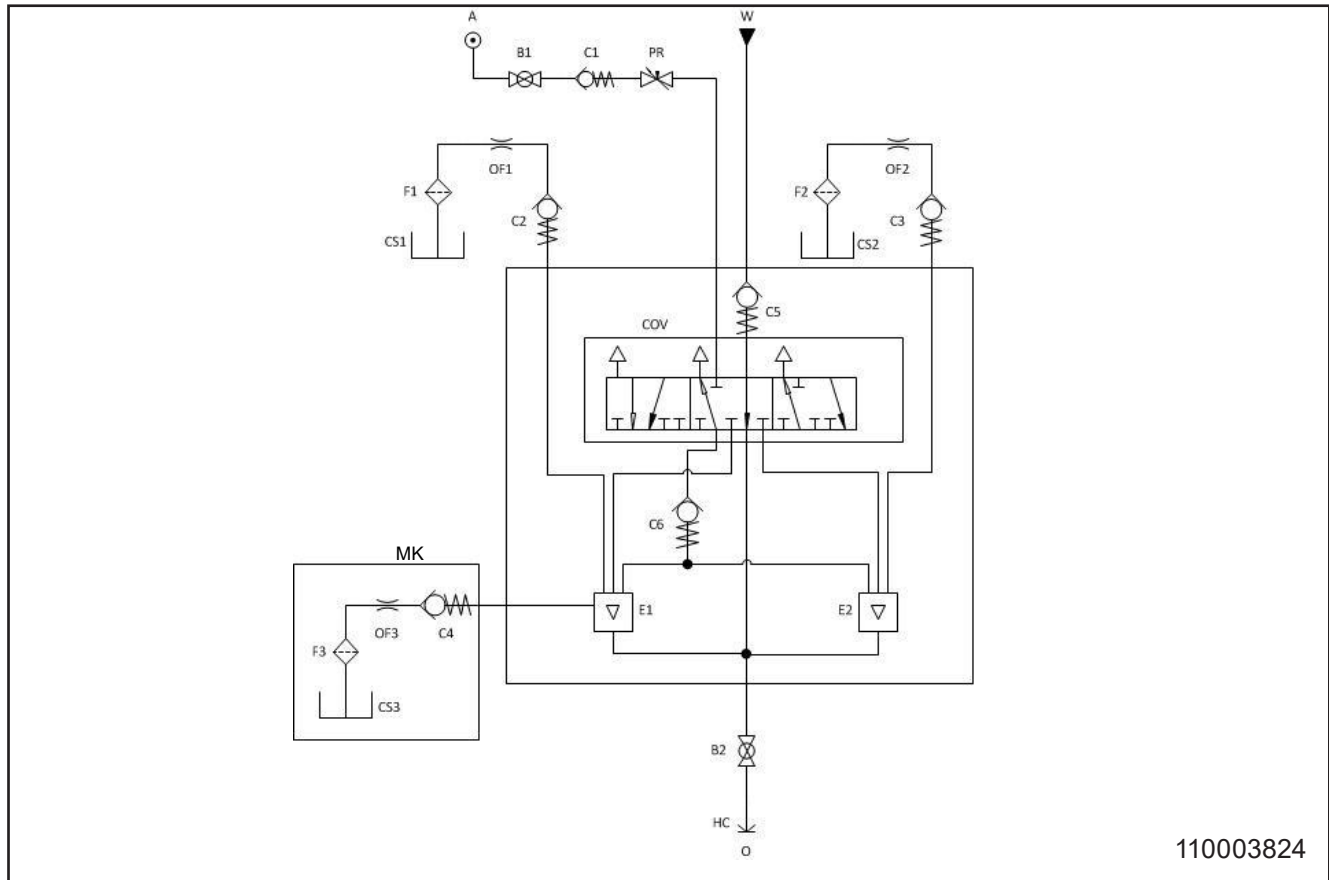
Mix kit



Pos./Ref.	Nr. No.	Description Beschreibung Désignation Designación		
	110002289	Suction kit for mix		

Operating Diagrams

SD21 / MK (Optional)

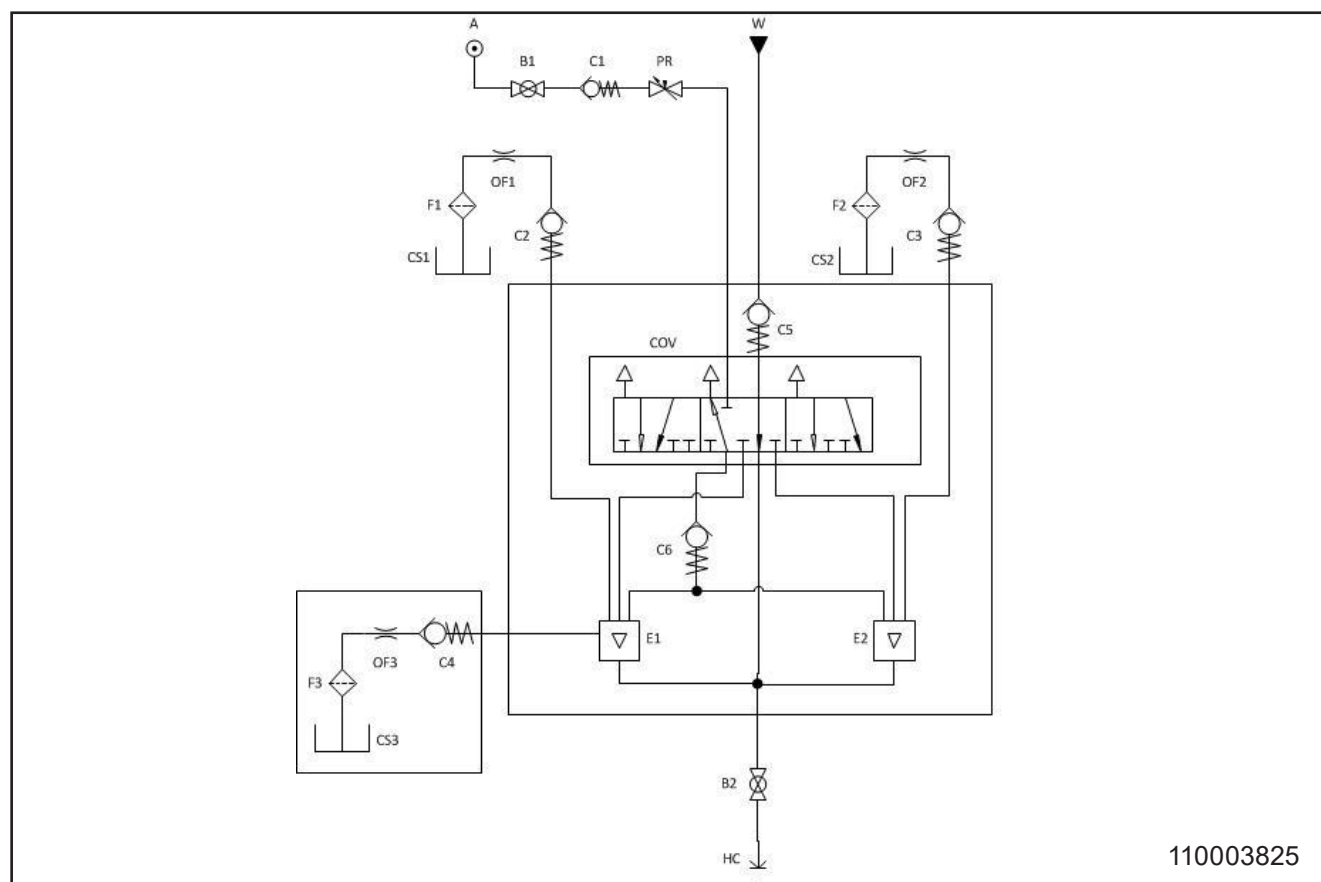


110003824

	English	Deutsch	Français	Español
A	Air supply	Lufteingang	Alimentation air	Suministro de aire
B	Ball valve	Kugelventil	Clapet à bille	Válvula esférica
C	Check valve	Contraventil	Soupape de non retour	Válvula de retención
COV	Change over valve	Umschaltventil	Robinet coupleur	Válvula de conmutación
CS	Chemical supply	Chemische Versorgung	Fourniture de produits chimiques	Toma de suministro de productos químicos
E	Ejector	Ausstoß	Ejecteur	Eyector
F	Filter	Filter	Filtre	Filtro
HC	Hose connection	Schlangenverbindung	Connexion flexible	Conexión de tubo flexible
O	Outlet	Ausgang	Sortie	Salida
OF	Orifice	Blende	Orifice	Orificio
PR	Pressure regulator	Druckregler	Régulateur de pression	Régulador de presión
W	Water inlet	Wassereinlassrohr	Admission d'eau	Toma de agua

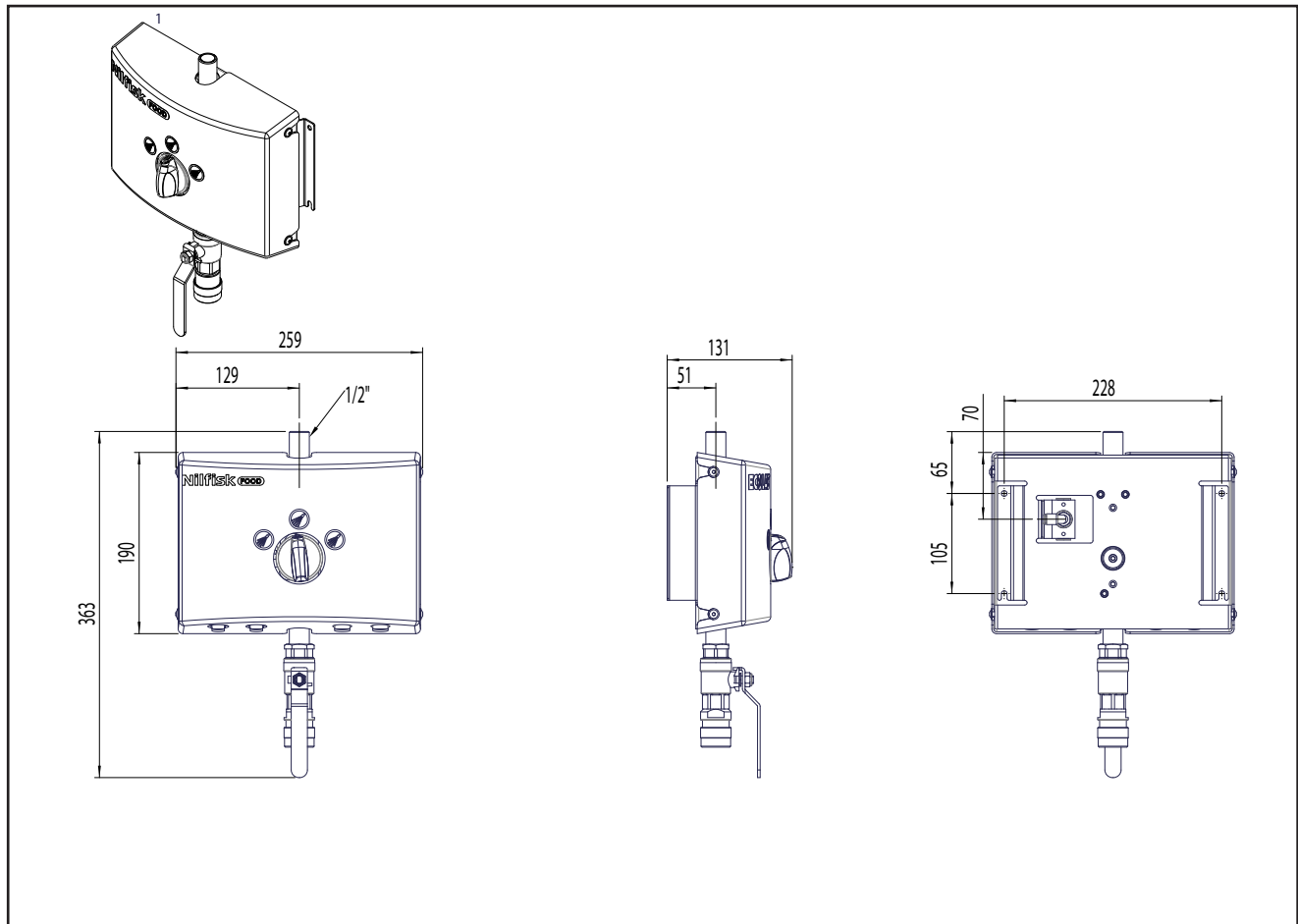
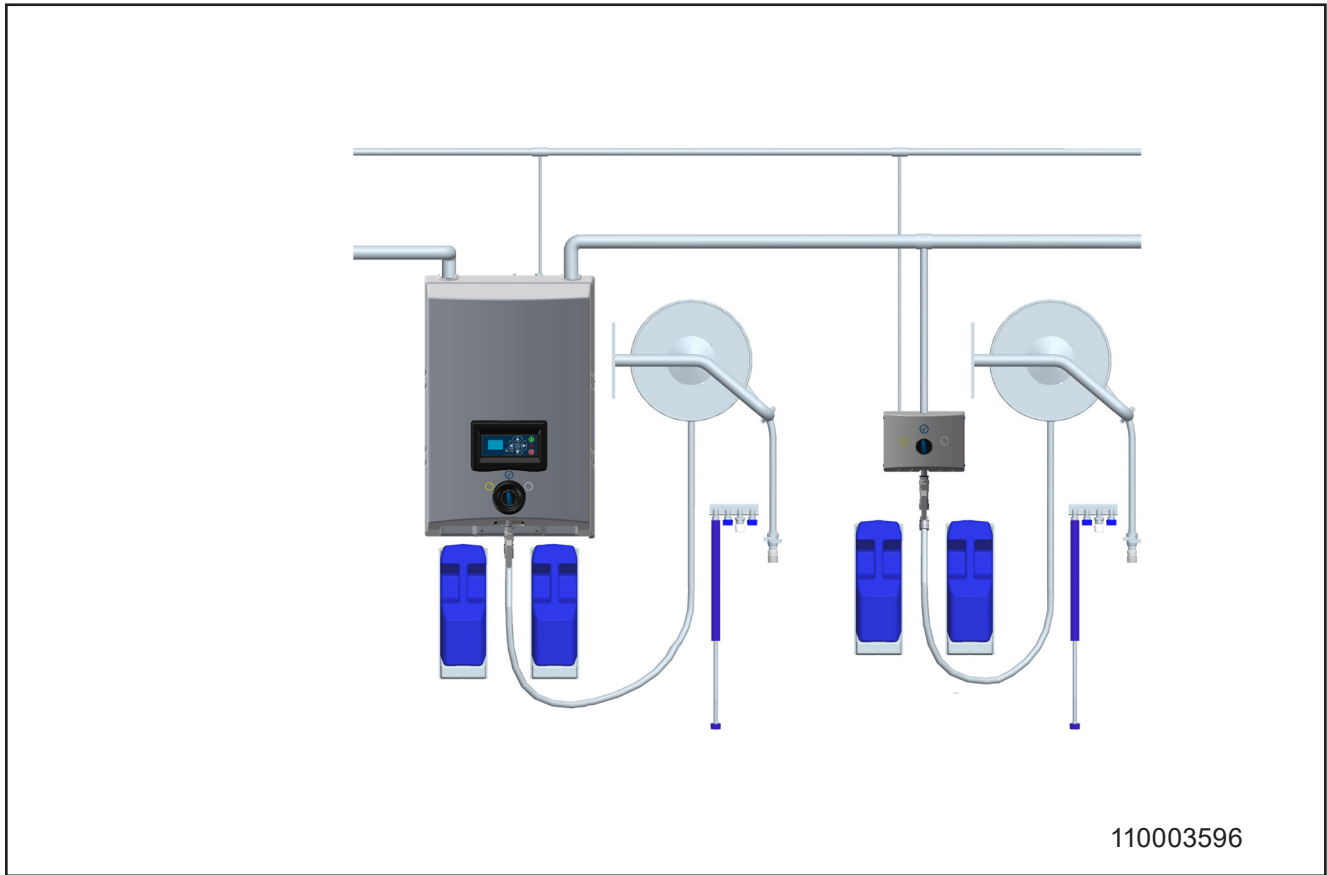
Operating Diagrams

SD22 / MK (Optional)



	English	Deutsch	Français	Español
A	Air supply	Lufteingang	Alimentation air	Suministro de aire
B	Ball valve	Kugelventil	Clapet à bille	Válvula esférica
C	Check valve	Contraventil	Soupape de non retour	Válvula de retención
COV	Change over valve	Umschaltventil	Robinet coupleur	Válvula de conmutación
CS	Chemical supply	Chemische Versorgung	Fourniture de produits chimiques	Toma de suministro de productos químicos
E	Ejector	Ausstoß	Ejecteur	Eyector
F	Filter	Filter	Filtre	Filtro
HC	Hose connection	Schlangenverbindung	Connexion flexible	Conexión de tubo flexible
O	Outlet	Ausgang	Sortie	Salida
OF	Orifice	Blende	Orifice	Orificio
PR	Pressure regulator	Druckregler	Régulateur de pression	Régulador de presión
W	Water inlet	Wassereinlassrohr	Admission d'eau	Toma de agua

Installation



Layout Pegasus SD

Printed in Denmark

No.: 1100036540 05/2019
Serial no: 108.01.000XXX

© 2014 All rights reserved
Distributor:

Nilfisk **FOOD**